




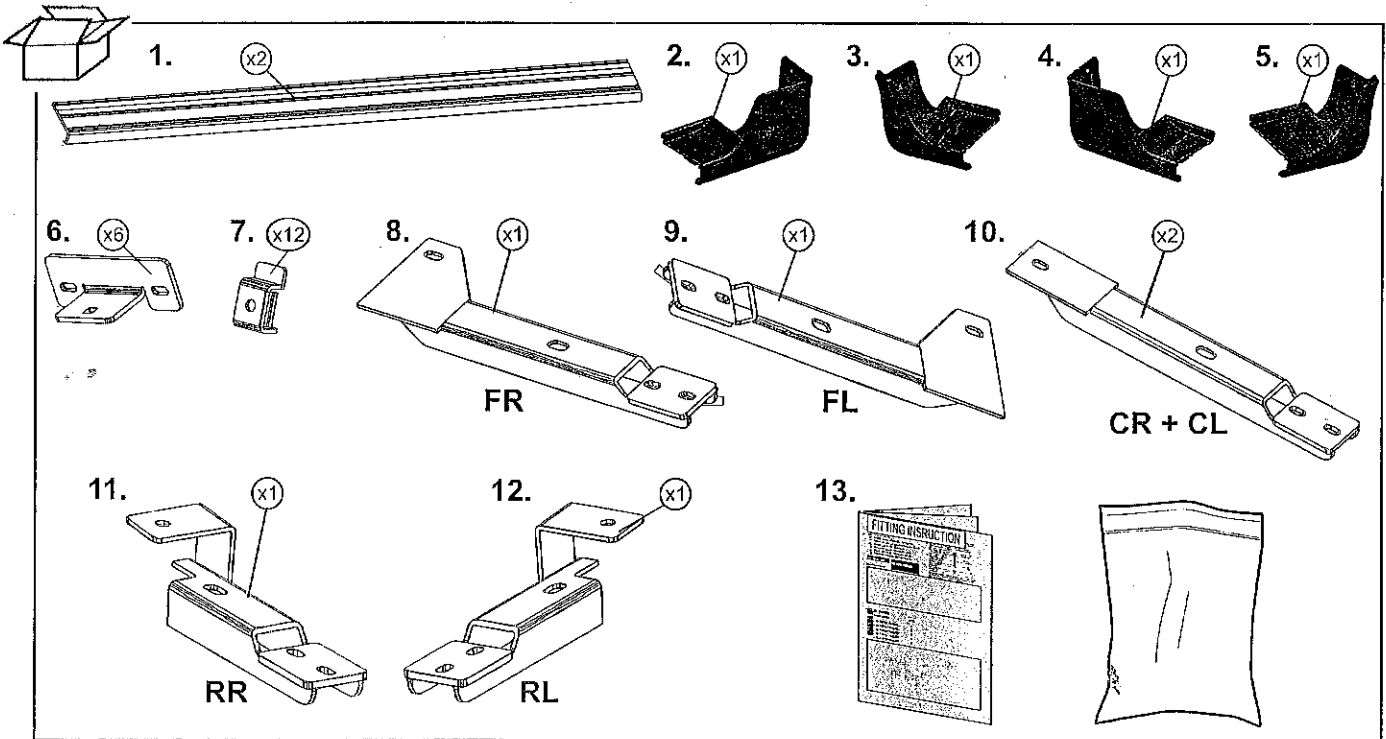
Fitting instructions for : Integrated Side Steps
 Part Number : SP 042029
 48 Minutes

Application

Model name	Model year	Body	Model series
Outlander	2013	ALL	

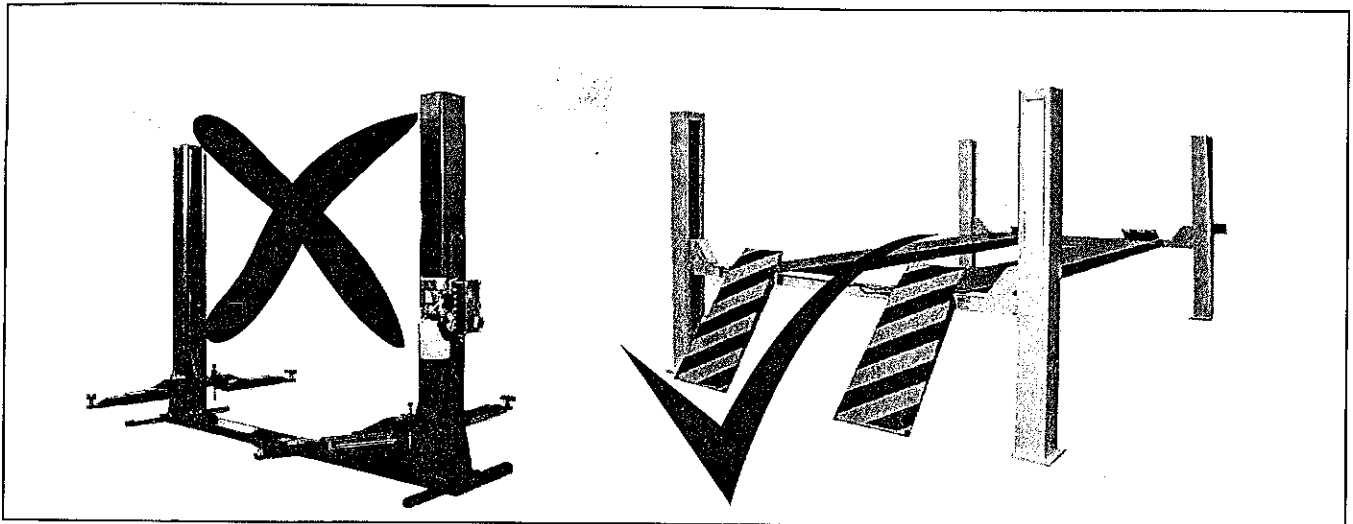
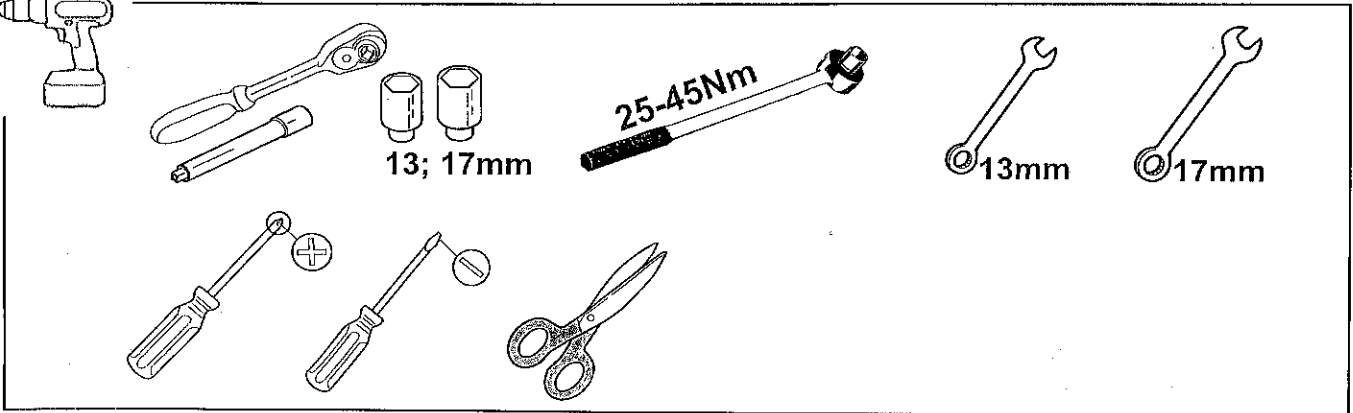
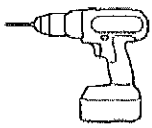
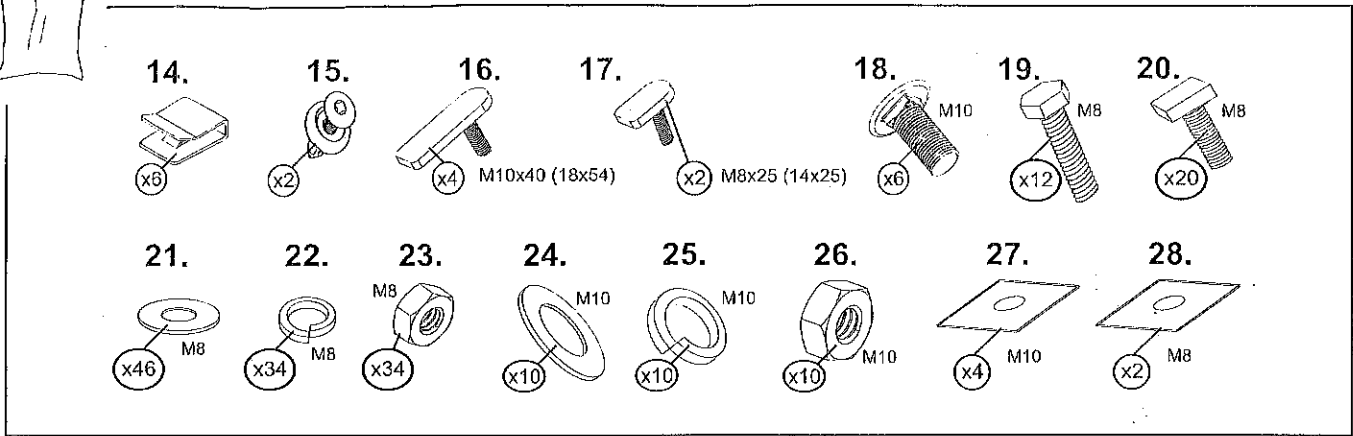
Read this mounting manual carefully, before you start the installation.
 Modification related to design, construction, illustrations and text are reserved.


MAX LOAD 150 KG 330 LBS




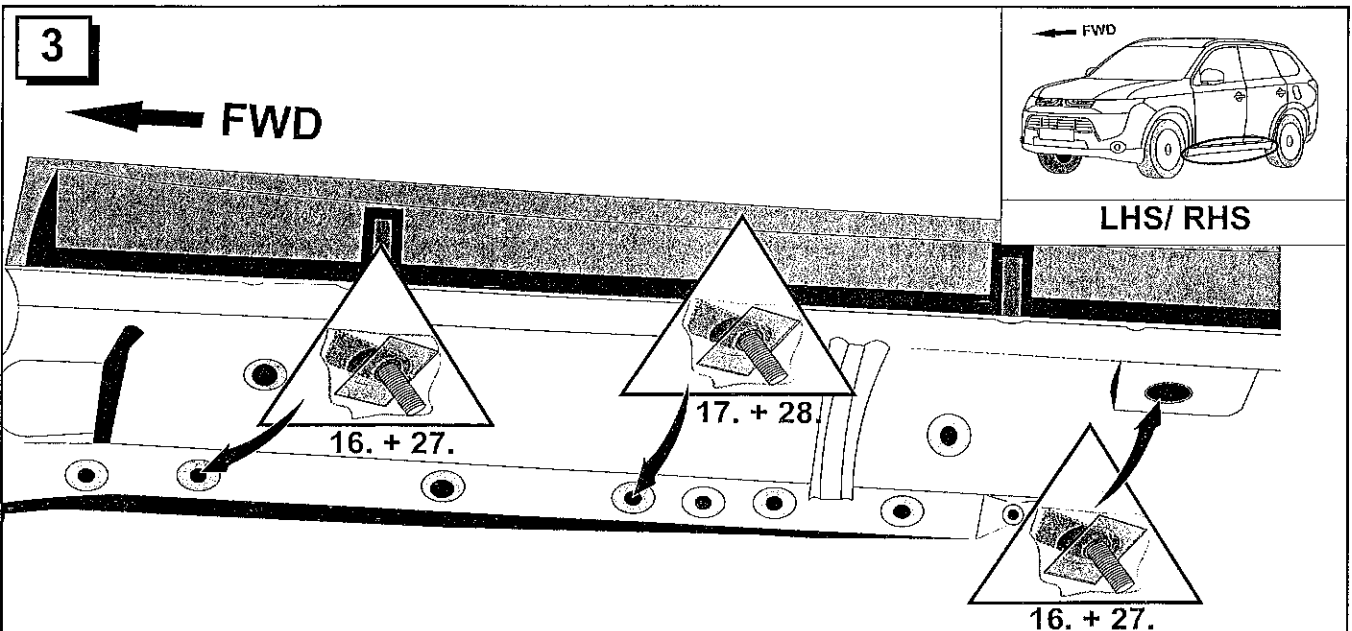
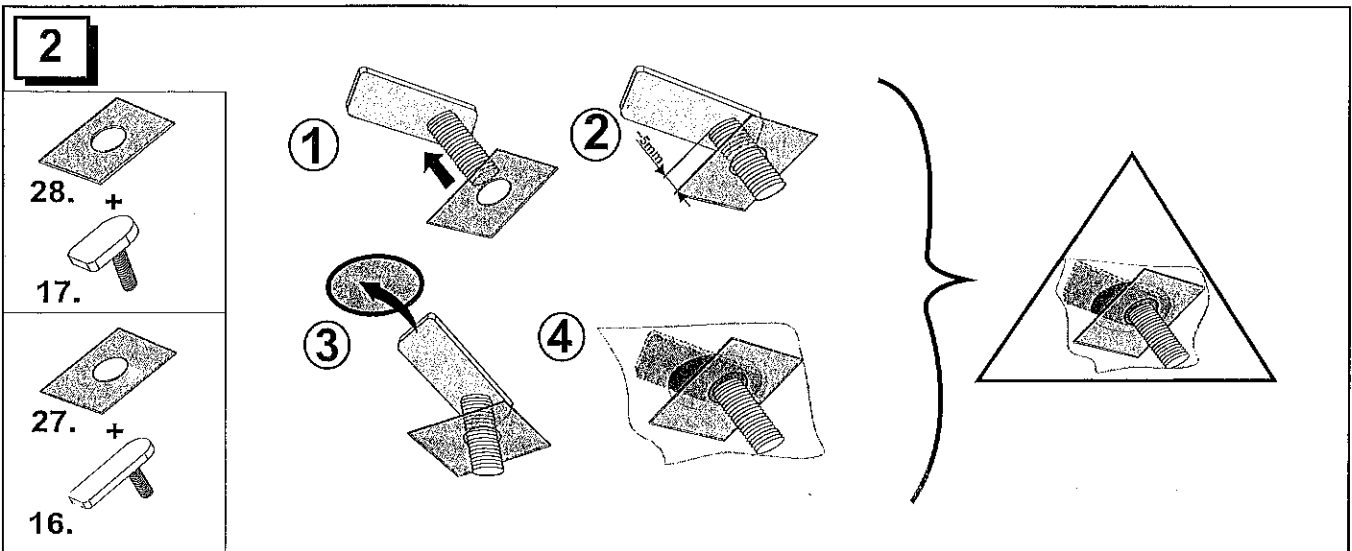
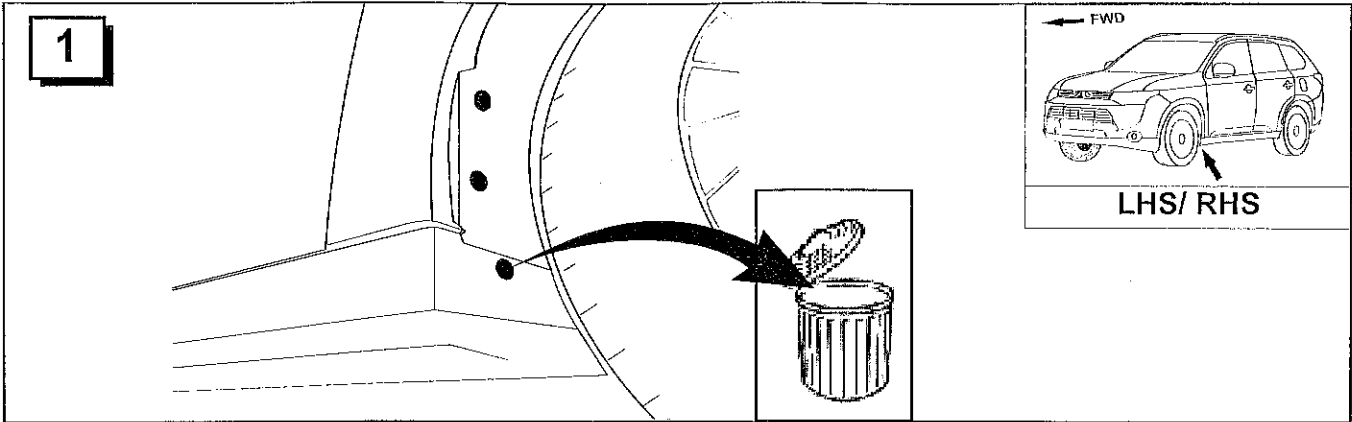
Part Number SP 042029	Issue 01	Date 25/03/2013	Page 1/8 UK Sbar 0050
--------------------------	-------------	--------------------	--------------------------

Modification related to design, construction, illustrations and text are reserved.



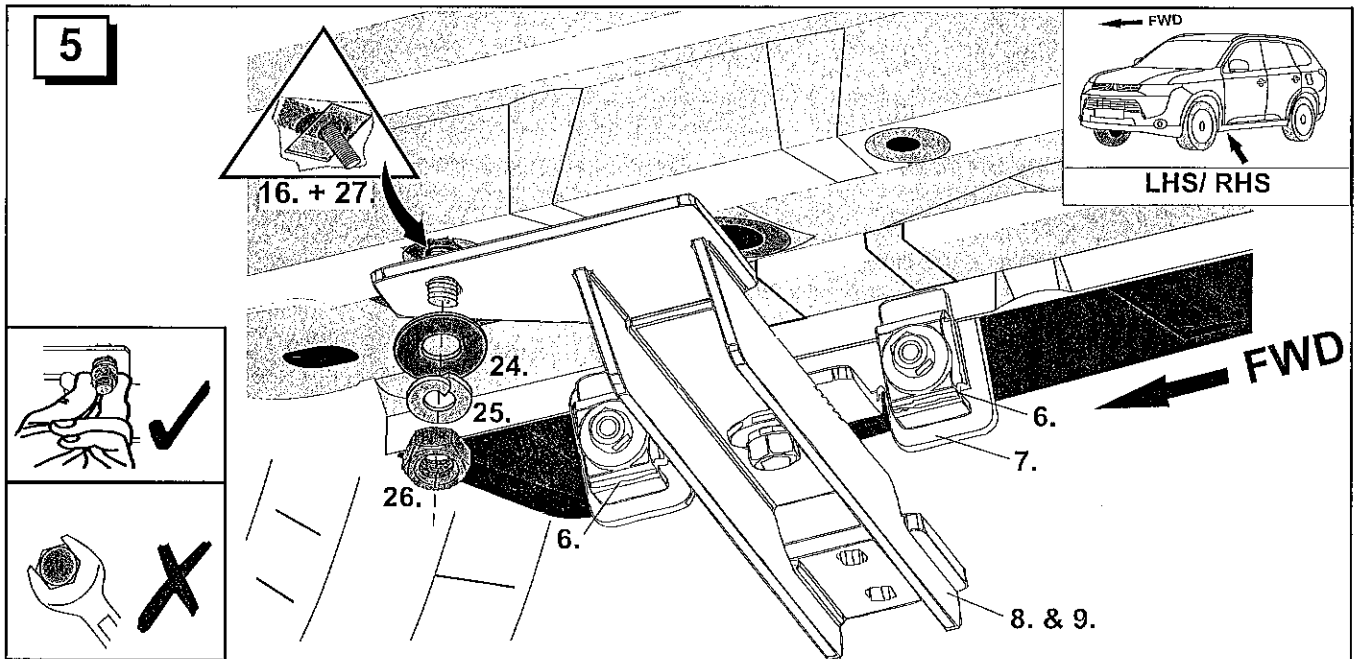
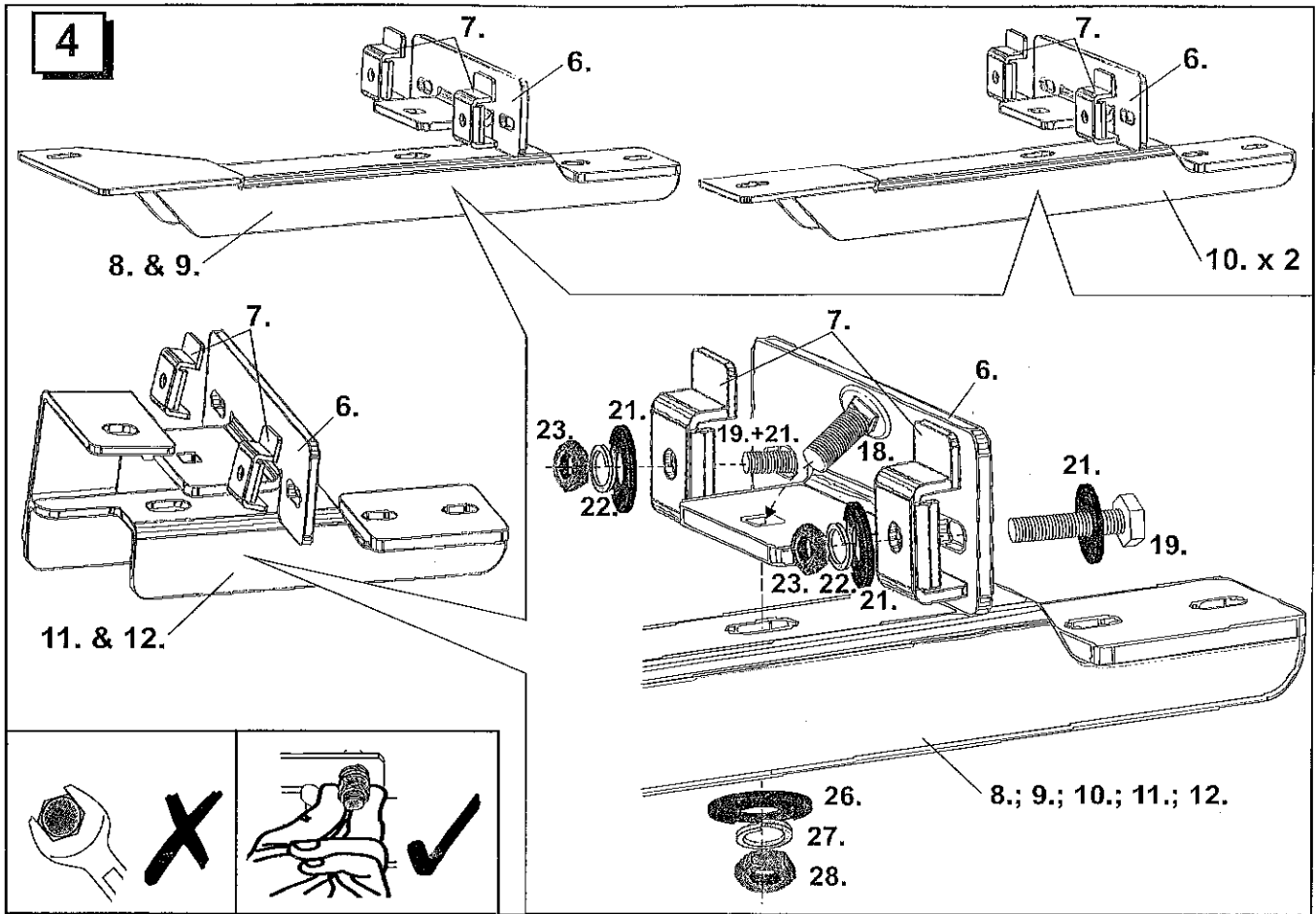
Part Number SP 042029	Issue 01	Date 25/03/2013	Page 2/8 UK Sbar 0050
--------------------------	-------------	--------------------	--------------------------

Modification related to design, construction, illustrations and text are reserved.



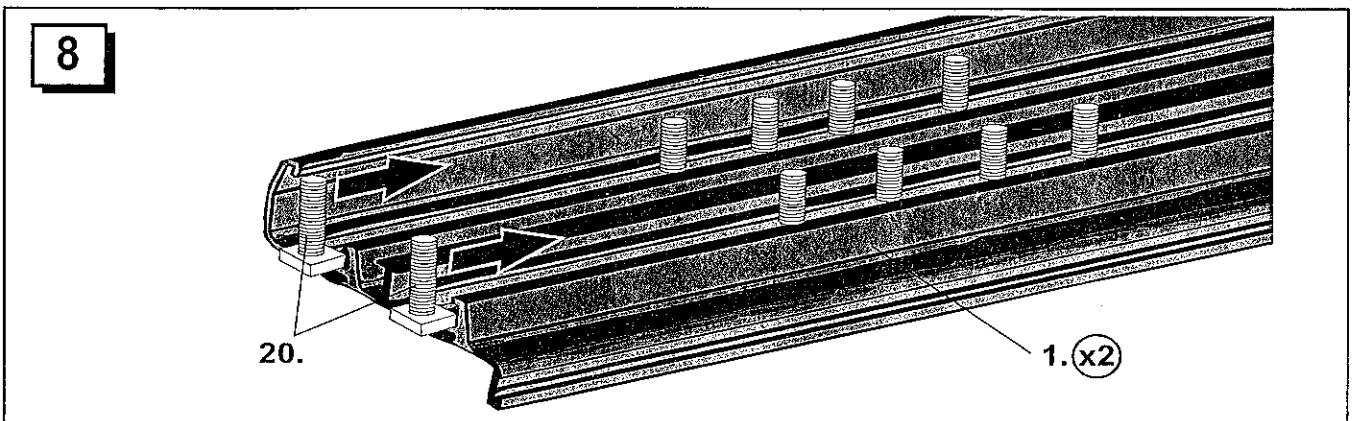
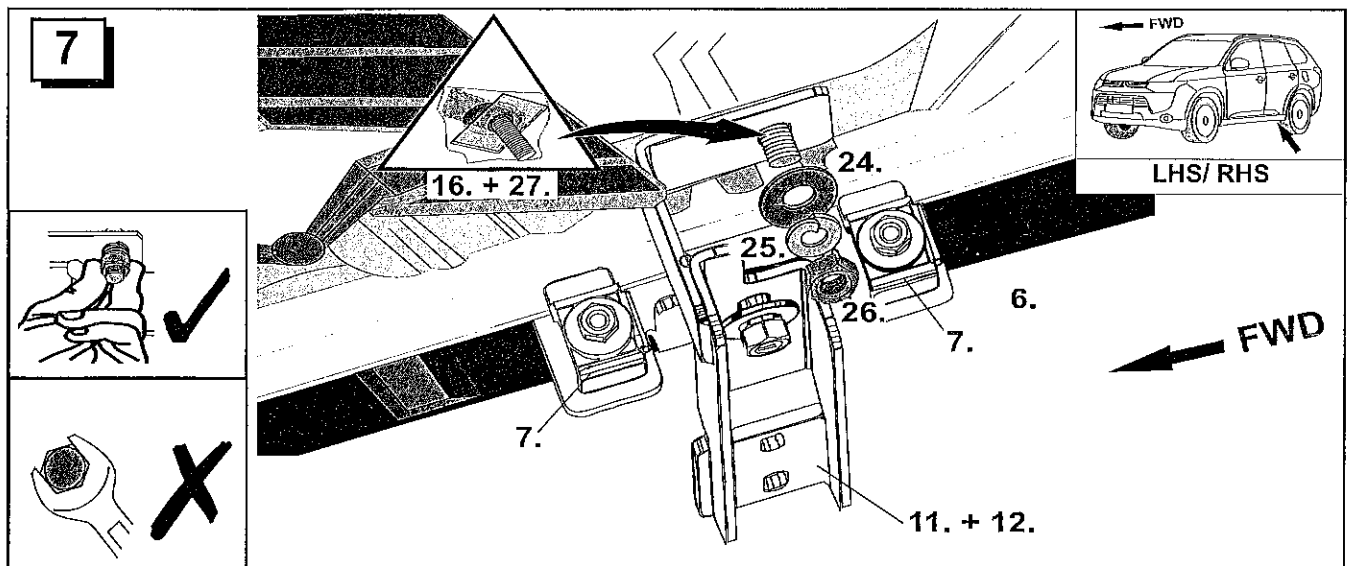
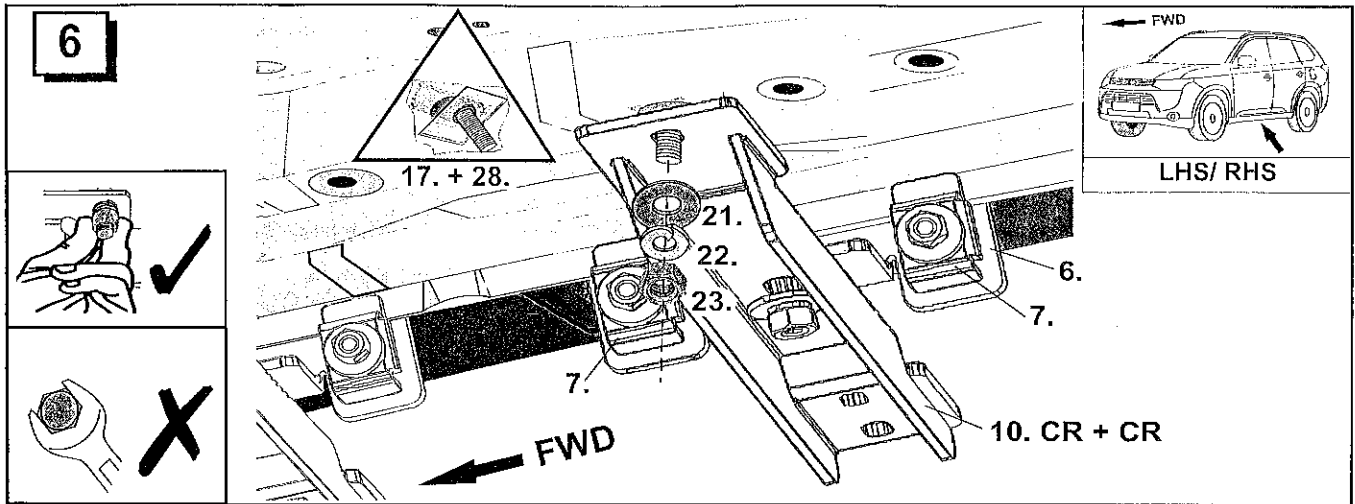
Part Number SP 042029	Issue 01	Date 25/03/2013	Page 3/8 UK Sbar 0050
--------------------------	-------------	--------------------	--------------------------

Modification related to design, construction, illustrations and text are reserved.



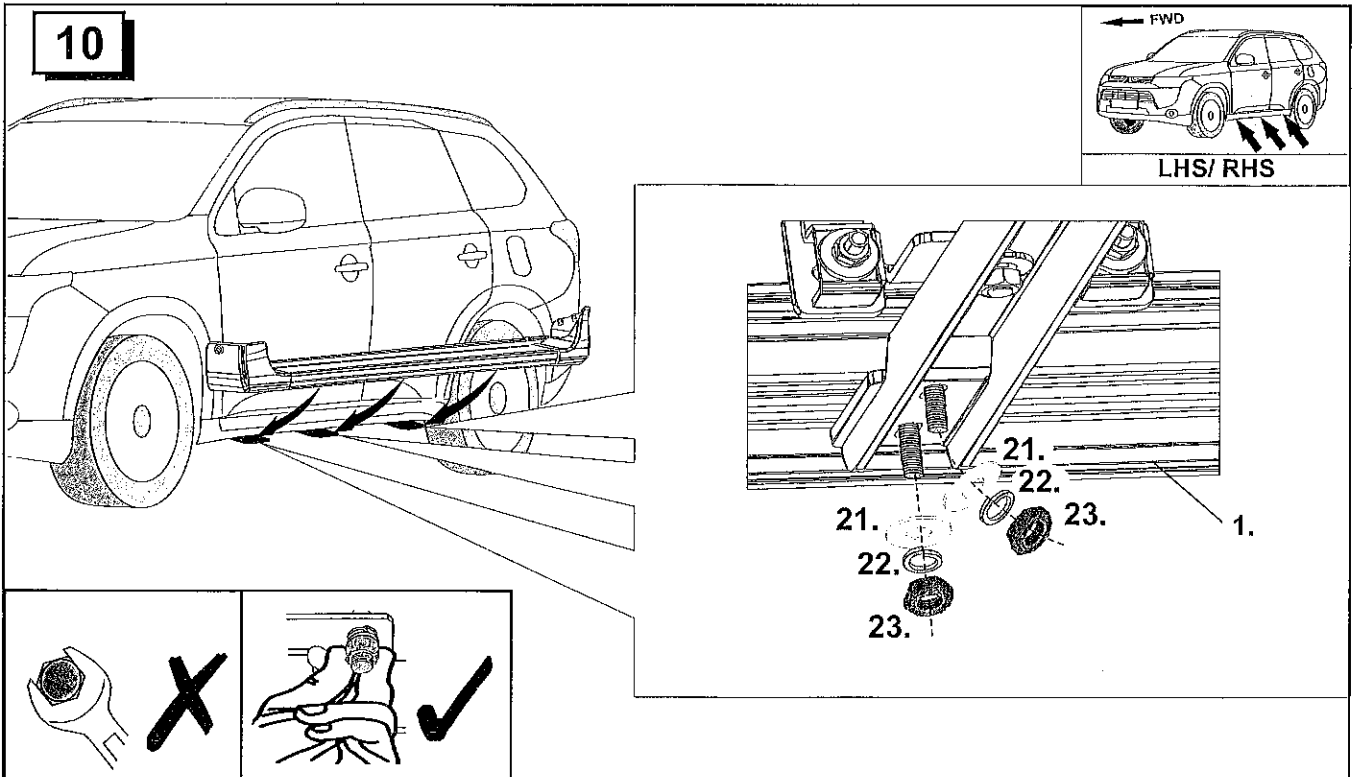
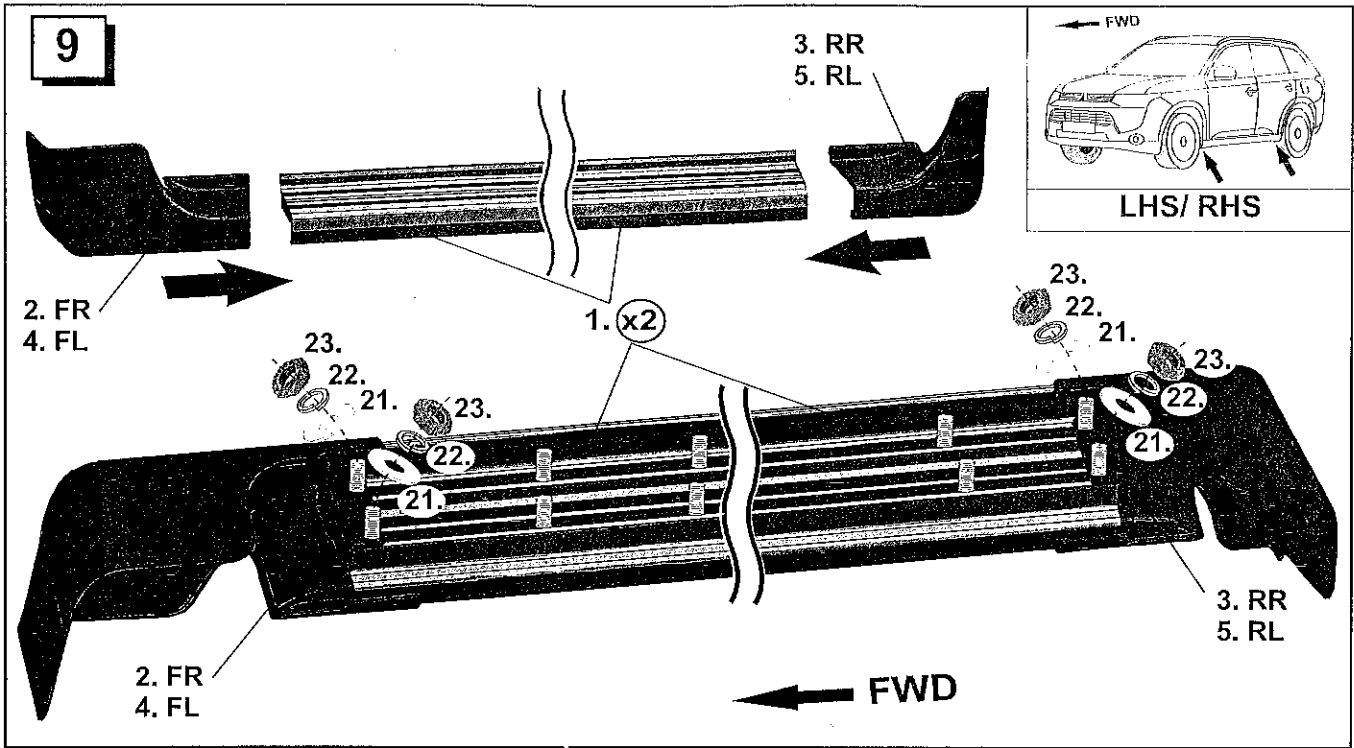
Part Number SP 042029	Issue 01	Date 25/03/2013	Page 4/8 UK Sbar 0050
--------------------------	-------------	--------------------	--------------------------

Modification related to design, construction, illustrations and text are reserved.



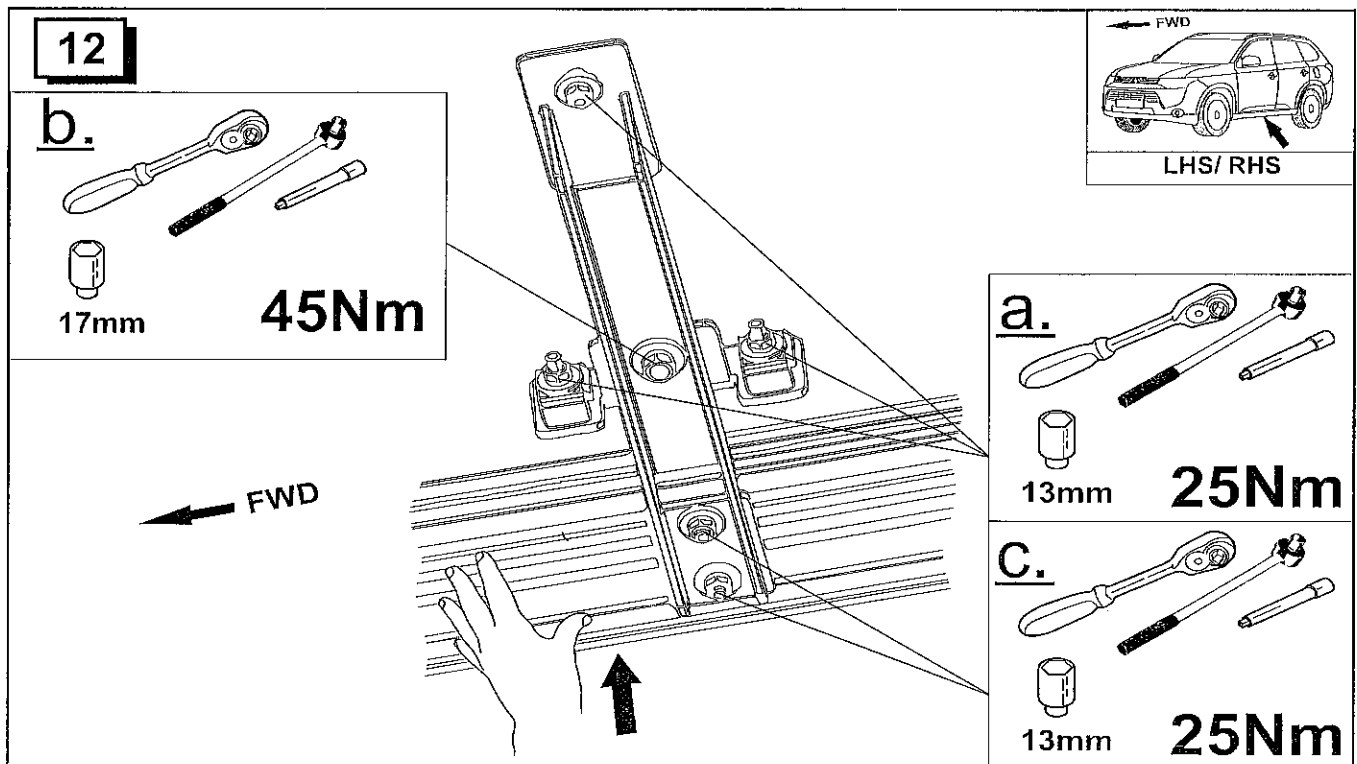
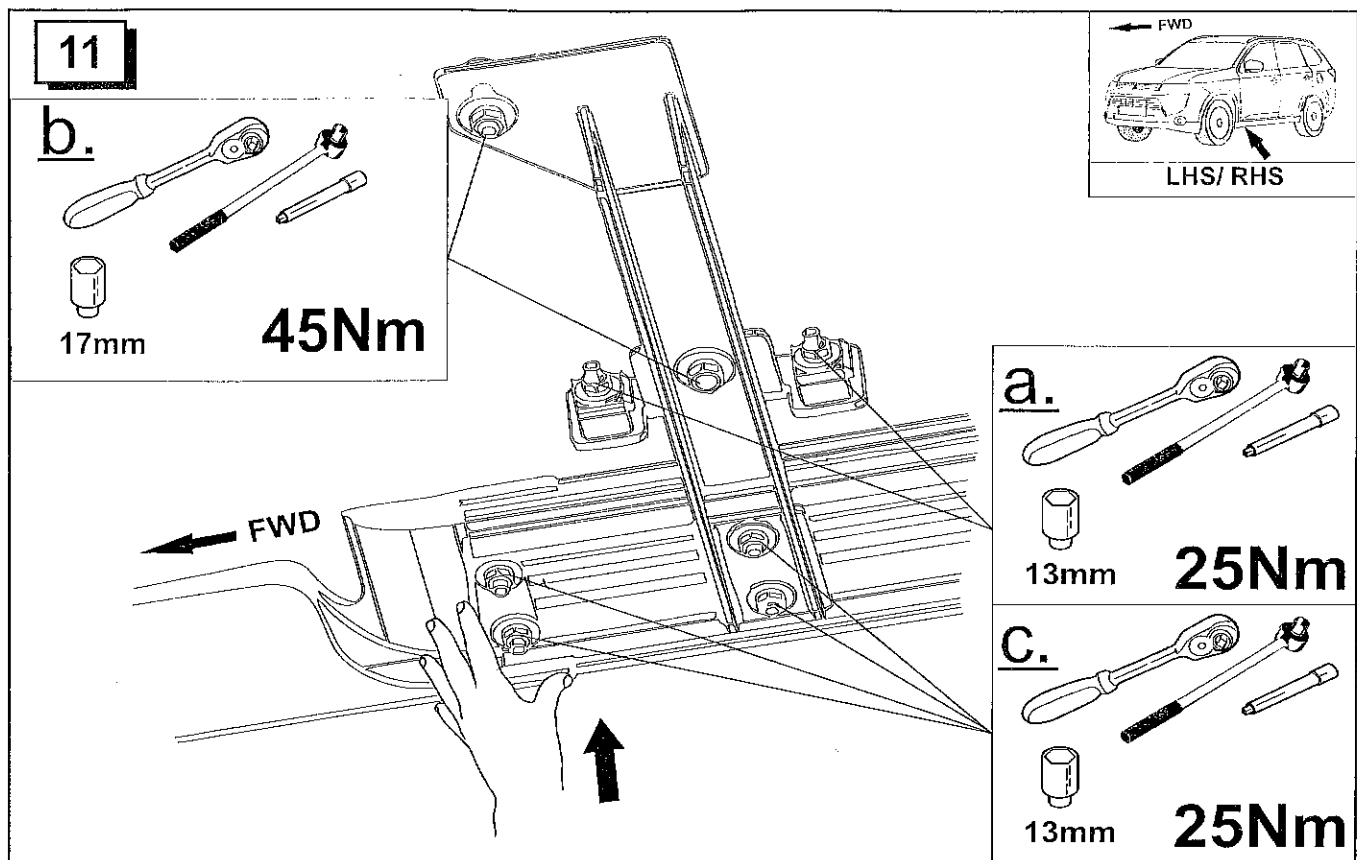
Part Number SP 042029	Issue 01	Date 25/03/2013	Page 5/8 UK Sbar 0050
--------------------------	-------------	--------------------	--------------------------

Modification related to design, construction, illustrations and text are reserved.



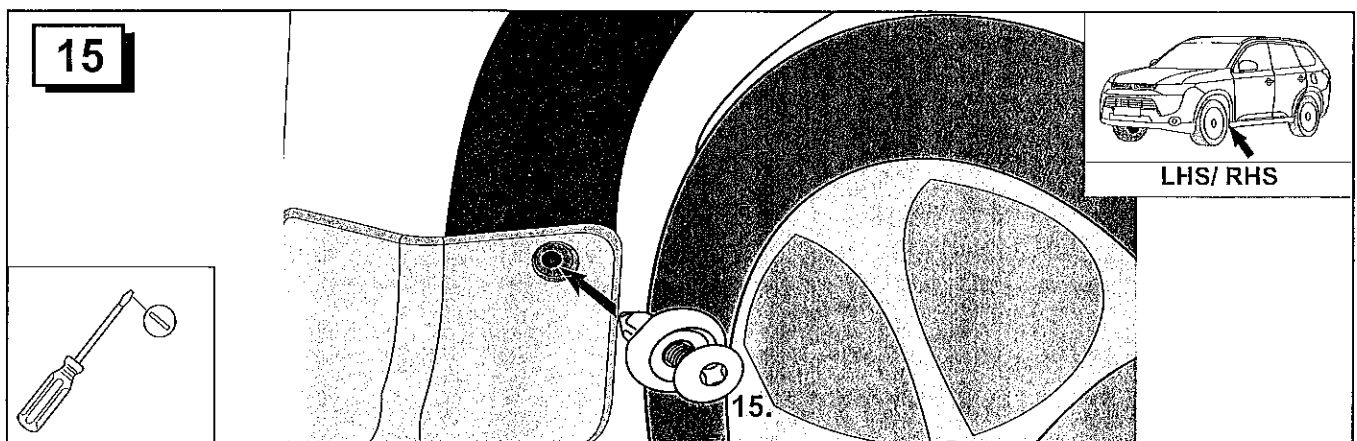
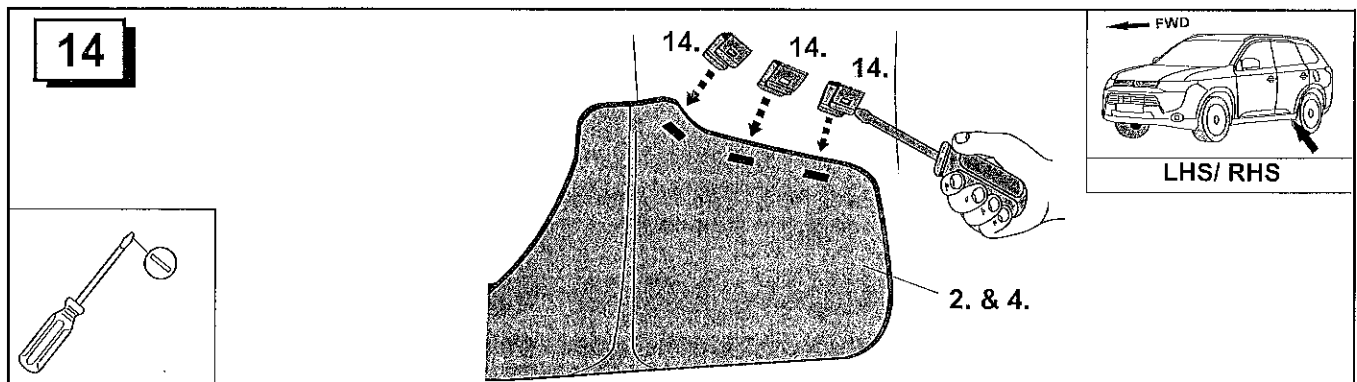
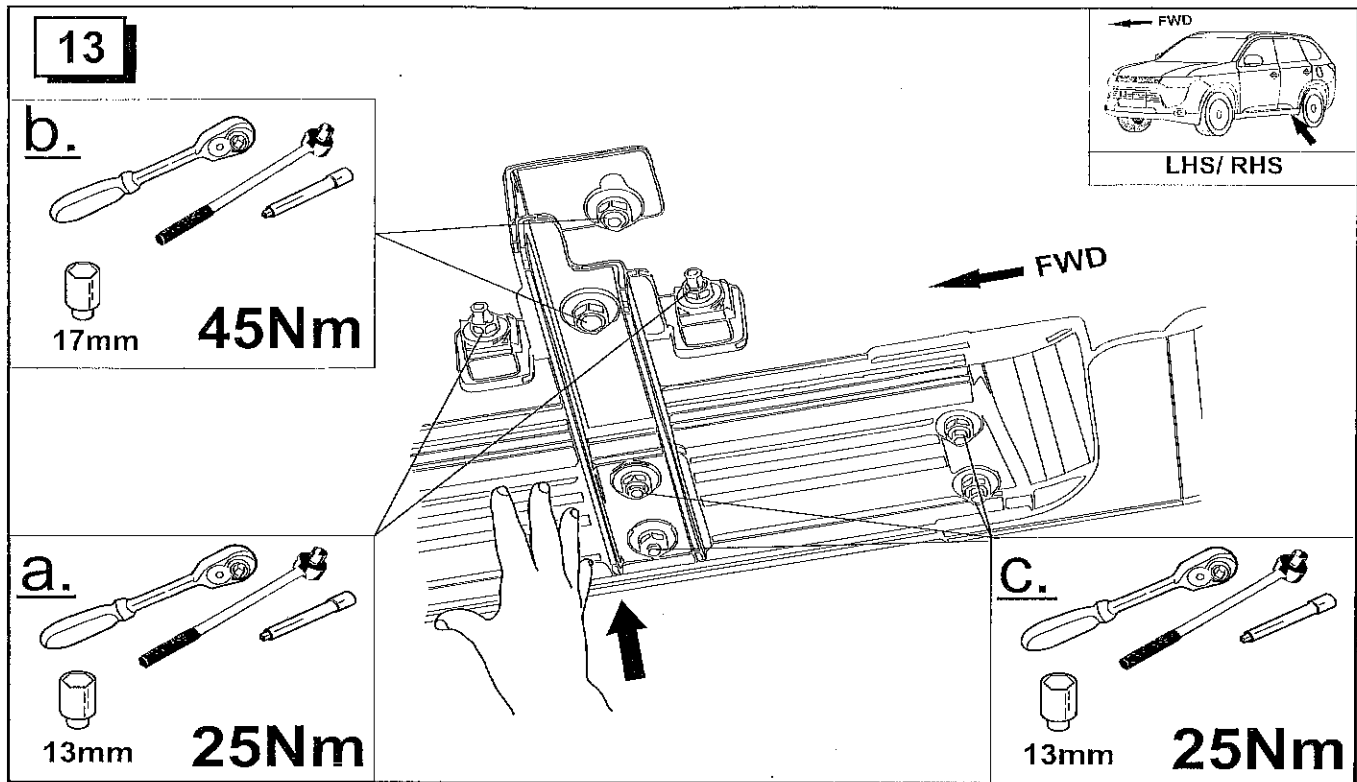
Part Number SP 042029	Issue 01	Date 25/03/2013	Page 6/8 UK Sbar 0050
--------------------------	-------------	--------------------	--------------------------

Modification related to design, construction, illustrations and text are reserved.



Part Number SP 042029	Issue 01	Date 25/03/2013	Page 7/8 UK Sbar 0050
--------------------------	-------------	--------------------	--------------------------

Modification related to design, construction, illustrations and text are reserved.



Part Number SP 042029	Issue 01	25/03/2013	Page 8/8 UK Sbar 0050
--------------------------	-------------	------------	--------------------------

Modification related to design, construction, illustrations and text are reserved.